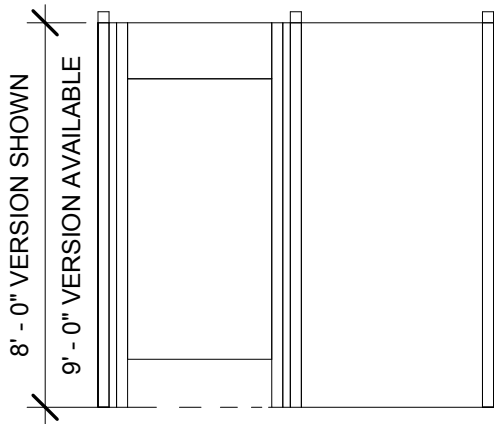
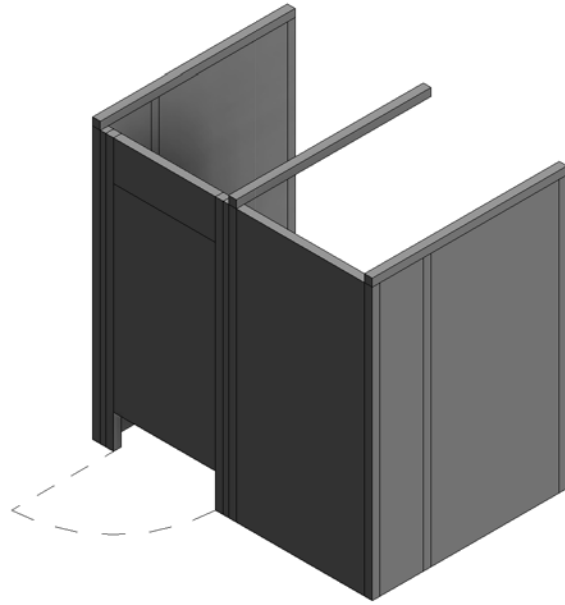
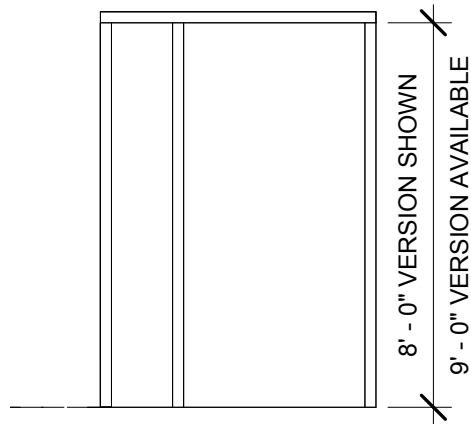


PLAN



FRONT ELEVATION



SIDE ELEVATION



www.madixinc.com

## MADIX - REVIT DRESSING ROOM

### TUBE LINE ADA WALL MOUNT, STARTER

Project number	18233	TLWM ADA S
Date	01.07.2019	
Drawn by	PM	
Checked by	BS	Scale 1/4" = 1'-0"